



DEEP CYCLE



LDC12-115-G31-DT

FEATURES&BENEFITS

- True deep cycle AGM-GEL technology-GREEN SOLUTION
- Over 99.99% virgin lead for grid plate
- Carbon active material
- Electrolyte + Gel for longer cycle life
- Heavy duty grid/paste design for deep cycle application
- Maintenance free, non-spillable, valve-regulated
- Double separator configuration :long cycle life &High energy density and super anti-vibration design
- Low self-discharge for longer shelf life



ELECTRICAL SPECIFICATIONS

Voltage (V)	Capacity(Ah)					Reserve Capacity(min)		
	100HR	20HR	10HR	5HR	3HR	25A	56A	75A
12	130	118	113	107	98	239	95	65

PHYSICAL SPECIFICATIONS

Dimensions(mm/inches)				Weight (kg/lbs)	Terminal Type (Standard)	Case Material
Length	Width	Height	Total Height			
330/12.99	173/6.81	212/8.35	237/9.33	31.7/69.9	DT(5/16")	ABS

Operating Temperature Range		
Discharge	Charge	Storage
-20°C~55°C(-4°F~131°F)	0C~40°C(32°F-104°F)	-15°C~40°C(5°F~104°F)



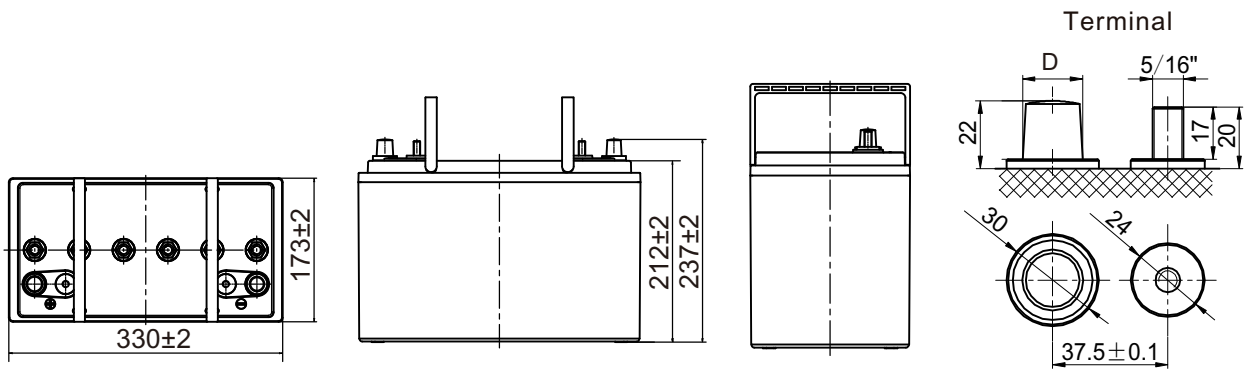
IATF16949

ISO14001

ISO9001

LDC12-115-G31-DT

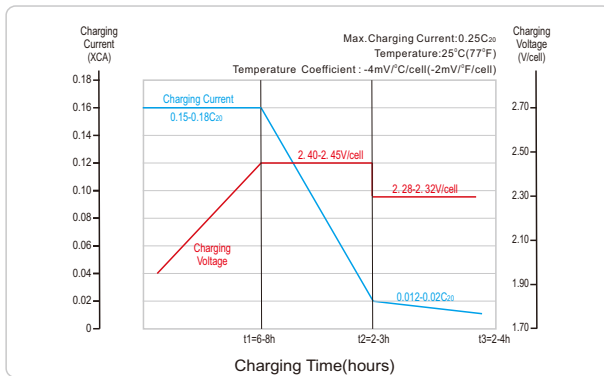
DIMENSIONS



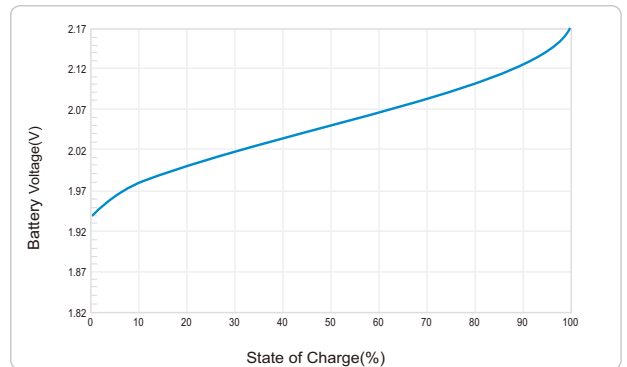
Note: D: Positive $19.5_{-0.3}^0$, D: Negative $17.9_{-0.3}^0$; Terminal Torque Values in-lb(Nm): 176-203(20-23)

PERFORMANCE CHARACTERISTICS

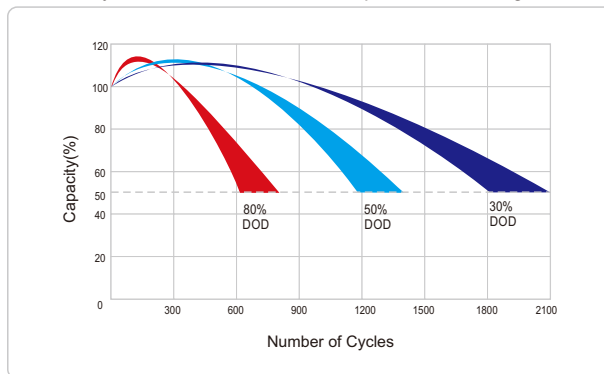
Charging Profile



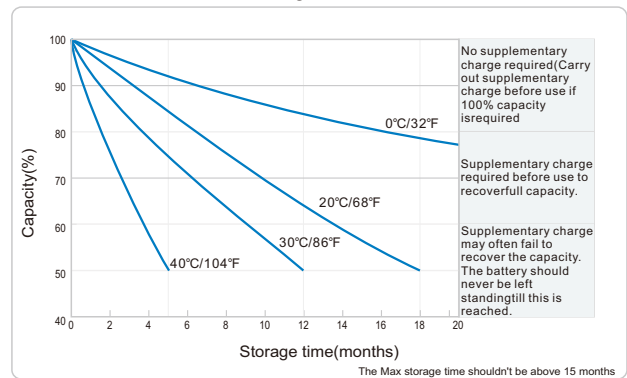
Relationship of OCV and State Of Charge ($25^\circ C, 77^\circ F$)



Cycle Life in Relation to Depth Of Discharge



Self-discharge Characteristic



distributed by: Power Storage Deutschland GmbH

+49 (0)6081 96582-0

info@psd-power.de



www.psd-power.de