



LP Series-General Purpose LP12-6.0(12V6.0Ah)

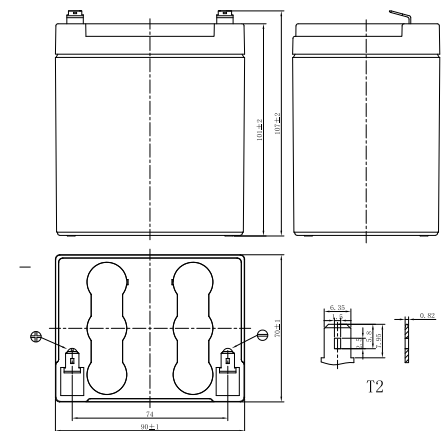


Specifications

Rated Voltage	12V	
Nominal Capacity	6.0Ah	(C ₂₀ , 1.75V/cell)
Dimension	Length	90±1mm (3.54 inches)
	Width	70±1mm (2.76 inches)
	Container Height	101±2mm (3.98 inches)
	Total Height	107±2mm (4.21 inches)
Approx Weight	1.91 Kg (4.21 lbs)	
Terminal	T1/T2	
Container Material	ABS	
Rated Capacity (25°C)	6.00 Ah	(20hr, 0.300A, 1.75V/cell)
	5.67 Ah	(10hr, 0.567A, 1.75V/cell)
	5.15 Ah	(5hr, 1.03A, 1.75V/cell)
	4.62 Ah	(3hr, 1.54A, 1.75V/cell)
	4.17 Ah	(1hr, 4.17A, 1.60V/cell)
Max. Discharge Current	90A (5s)	
Internal Resistance (25°C)	Approx 20mΩ	
Operating Temp. Range	Discharge	-15 ~ 50°C (5 ~ 122°F)
	Charge	-20 ~ 40°C (-4 ~ 104°F)
	Storage	-15 ~ 40°C (5 ~ 104°F)
Nominal Operating Temp. Range	25±3°C (77±5°F)	
Cycle Use	Initial Charging Current less than 1.8A. Voltage 14.4V~15.0V at 25°C(77°F)Temp. Coefficient -30mV/°C	
Standby Use	Initial Charging Current less than 1.8A. Voltage 13.5V~13.8V at 25°C(77°F)Temp. Coefficient -20mV/°C	
Effect of temp. to Capacity	40°C (104°F)	103%
	25°C (77°F)	100%
	0°C (32°F)	86%
Self Discharge	LP series batteries may be stored for up to 6 months at 25°C(77°F) and then a freshening charge is required. For higher temperatures the time interval will be shorter.	



Layout



Constant Current Discharge (Amperes) at 25 °C (77°F)

F.V/Time	5min	10min	15min	20min	30min	45min	1h	1.5h	2h	3h	4h	5h	6h	8h	10h	20h
1.85V/cell	21.8	14.4	11.0	8.91	6.51	4.68	3.78	2.72	2.11	1.49	1.18	1.01	0.86	0.68	0.555	0.293
1.80V/cell	23.4	15.3	11.6	9.26	6.71	4.81	3.87	2.78	2.14	1.52	1.20	1.02	0.87	0.69	0.562	0.297
1.75V/cell	24.7	15.9	12.0	9.52	6.88	4.91	3.95	2.83	2.18	1.54	1.21	1.03	0.88	0.70	0.567	0.300
1.70V/cell	25.8	16.5	12.4	9.80	7.06	5.02	4.02	2.88	2.22	1.57	1.23	1.05	0.89	0.70	0.573	0.302
1.67V/cell	26.7	17.0	12.7	10.0	7.18	5.10	4.08	2.92	2.24	1.58	1.24	1.06	0.90	0.71	0.577	0.305
1.60V/cell	28.4	17.7	13.1	10.3	7.38	5.23	4.17	2.98	2.29	1.61	1.26	1.07	0.92	0.72	0.585	0.308

Constant Power Discharge (Watts/cell) at 25 °C (77°F)

F.V/Time	5min	10min	15min	20min	30min	45min	1h	1.5h	2h	3h	4h	5h	6h	8h	10h	20h
1.85V/cell	41.2	27.4	21.1	17.2	12.6	9.09	7.34	5.32	4.12	2.94	2.33	1.98	1.70	1.34	1.10	0.587
1.80V/cell	43.9	28.8	22.0	17.7	12.9	9.30	7.50	5.41	4.19	2.98	2.36	2.01	1.73	1.36	1.12	0.593
1.75V/cell	45.7	29.8	22.6	18.1	13.2	9.46	7.63	5.49	4.25	3.02	2.39	2.03	1.74	1.38	1.13	0.600
1.70V/cell	47.4	30.8	23.2	18.6	13.5	9.64	7.74	5.57	4.30	3.06	2.41	2.06	1.76	1.39	1.14	0.605
1.67V/cell	48.6	31.4	23.7	18.9	13.7	9.77	7.85	5.63	4.34	3.08	2.43	2.07	1.78	1.40	1.14	0.610
1.60V/cell	50.6	32.4	24.4	19.4	14.0	9.95	7.98	5.73	4.42	3.13	2.47	2.10	1.80	1.42	1.16	0.616



LP Series-General Purpose LP12-6.0(12V6.0Ah)



Applications

- All purpose
- Uninterruptable Power Supply (UPS)
- Electric Power System (EPS)
- Emergency backup power supply
- Alarm and security system
- Communication power supply
- DC power supply
- Auto control system

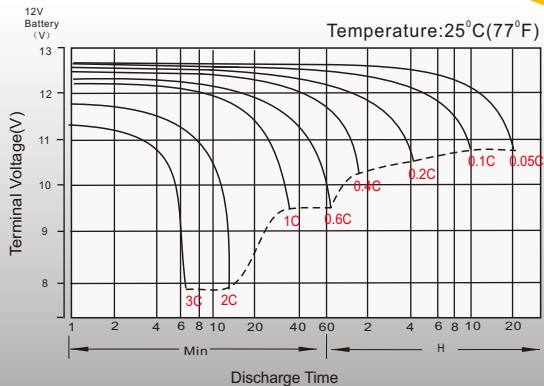
General Features

- 5 years design life(25°C)
- Special exhaust structure and sealing technology, safe and reliable, flexible installation, convenient maintenance
- PbCaSn alloy for plate grids: less gassing, less self-discharging
- High quality AGM separator: extend cycle life and prevent micro short circuit
- High purity raw material: ensure low self discharge rate

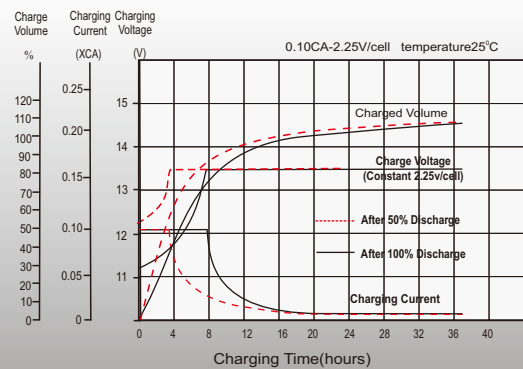
Standards

- Compliance with IEC 60896 standards, EU Battery Directive
- UL, CE Certified
- Manufactured in Leoch®IATF 16949, ISO45001, ISO 9001 and ISO 14001 certified production facilities

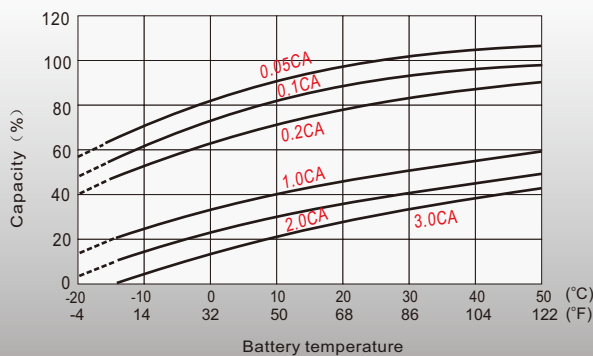
Discharge Characteristics



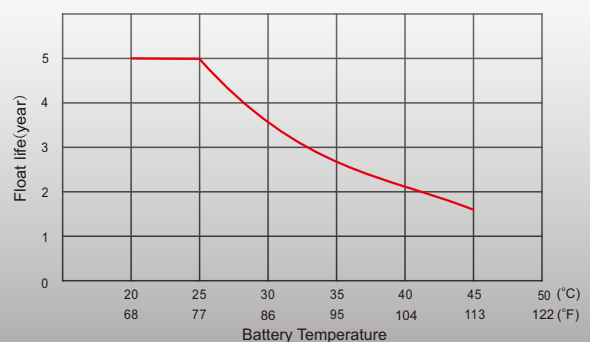
Float Charging Characteristics



Temperature Effects in Relation to Battery Capacity



Effect of Temperature on Long Term Float Life



distributed by: Power Storage Deutschland GmbH

+49 (0)6081 96582-0

info@psd-power.de

www.psd-power.de



[Http://www.leoch.com](http://www.leoch.com)

© 2020 LEOCH. All rights reserved.
Trademarks and logos are the property of LEOCH and its affiliates unless otherwise noted.
Subject to revisions without prior notice.

Publication No.: LB-LP12-6.0-PD-EN-V2.0-202004