



PLH-Pure Lead Long Standby Life

PLH100FT(A) (12V100Ah)

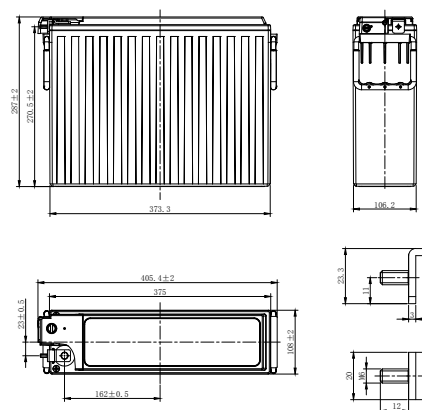


Specifications

Rated Voltage	12V	
Nominal Capacity	C ₁₀ , 1.80V/cell	100Ah
	C ₈ , 1.75V/cell	100Ah
Dimension	Length	405.4±2mm (15.96 inches)
	Width	108±2mm (4.25 inches)
	Container Height	287±2mm (11.30 inches)
	Total Height	287±2mm (11.30 inches)
Approx. Weight	30.8 Kg (67.9 lbs)	
Terminal	M6	
Container Material	PC-ABS flame retardant jar and cover to UL94 V-0	
Rated Capacity (25°C)	104.0Ah	(20hr, 5.20A, 1.80V/cell)
	100.0Ah	(10hr, 10.0A, 1.80V/cell)
	87.5 Ah	(5hr, 17.5A, 1.75V/cell)
	81.0 Ah	(3hr, 27A, 1.75V/cell)
	70.0Ah	(1hr, 70.0A, 1.67V/cell)
Max. Discharge Current	1200A	
Internal Resistance (25°C)	Approx. 4.5mΩ(Fully charged)	
Operating Temp.Range	Discharge	-40 ~ 65°C (-40 ~ 149°F)
	Charge	0 ~ 54°C (32 ~ 129°F)
	Storage	-20 ~ 40°C (-4 ~ 104°F)
Nominal Operating Temp. Range	25±3°C (77±5°F)	
Max.Charging Current(25°C)	30.0A	
Charge voltage(25°C)	Float	13.62V
	Temp. Coefficient	-3mV/cell/°C
	Equalization	14.1~14.4V
Effect of temp. to Capacity	40°C (104°F)	103%
	25°C (77°F)	100%
	0°C (32°F)	86%
Self Discharge	<p>PLH series batteries can be stored up to 24 months at 25°C(77°F), For higher temperatures the time interval will be shorter.</p> <p>Battery needs to be given a freshening charge when the OCV approach 2.10V/cell or when the maximum storage time is reached, whichever occurs first.</p>	



外形 Layout



Unit: mm

Constant Current Discharge (Amperes) at 25 °C (77°F)

F.V/Time	10min	15min	20min	30min	45min	1h	2h	3h	4h	5h	8h	10h	20h
1.85V/cell	180.8	152.1	131.3	99.7	80.0	61.9	37.0	25.7	19.8	16.7	11.9	9.80	5.10
1.80V/cell	204.0	170.1	141.4	105.2	82.7	63.9	38.0	26.3	20.4	17.2	12.2	10.0	5.20
1.75V/cell	221.2	179.3	147.8	108.3	85.2	65.8	39.0	27.0	20.7	17.5	12.5	10.1	5.24
1.70V/cell	236.5	189.6	155.2	112.2	88.0	67.7	40.0	27.7	21.0	17.7	12.5	10.1	5.28
1.67V/cell	251.7	199.3	162.3	116.6	91.3	70.0	40.5	28.0	21.4	17.9	12.5	10.2	5.31
1.60V/cell	268.3	209.6	169.2	120.5	93.7	71.7	41.5	28.7	21.7	18.1	12.6	10.3	5.35

Constant Power Discharge (Watts/cell) at 25 °C (77°F)

F.V/Time	10min	15min	20min	30min	45min	1h	2h	3h	4h	5h	8h	10h	20h
1.85V/cell	343.1	290.4	252.7	194.0	158.3	122.8	74.2	51.8	39.7	33.6	23.7	19.9	10.4
1.80V/cell	380.8	321.1	269.4	203.5	162.3	126.0	75.2	53.5	40.7	34.5	24.1	20.0	10.6
1.75V/cell	408.7	335.3	279.3	207.7	166.1	128.9	76.2	54.1	41.2	34.9	24.3	20.0	10.6
1.70V/cell	430.4	350.2	290.4	213.5	170.5	131.8	77.2	54.7	41.7	35.2	24.5	20.1	10.7
1.67V/cell	453.6	364.4	301.1	220.8	176.0	135.5	77.6	54.9	42.2	35.6	24.6	20.1	10.7
1.60V/cell	470.5	375.2	308.8	225.4	178.8	137.7	78.0	55.1	42.6	35.7	24.7	20.2	10.7



PLH-Pure Lead Long Standby Life

PLH100FT(A) (12V100Ah)



Applications

- Telecommunication
- Railway signal
- Alarm and security system
- Power station systems
- Emergency power supply

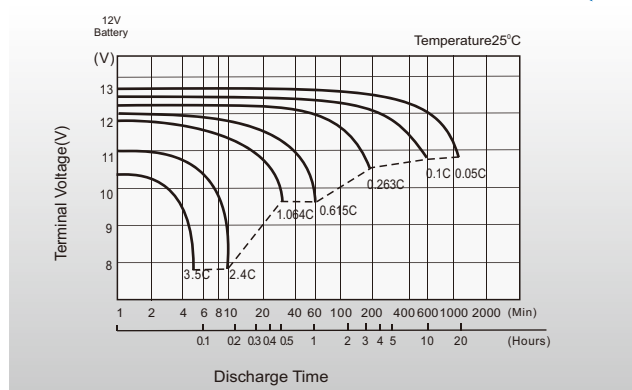
General Features

- 20 years design life(25°C)
- Premium ABS+PC jar & covers, Flame Retardant to UL94 V-0
- High-rate performance, high energy density
- High quality AGM separators minimize electrical resistance to allow high current discharging properties

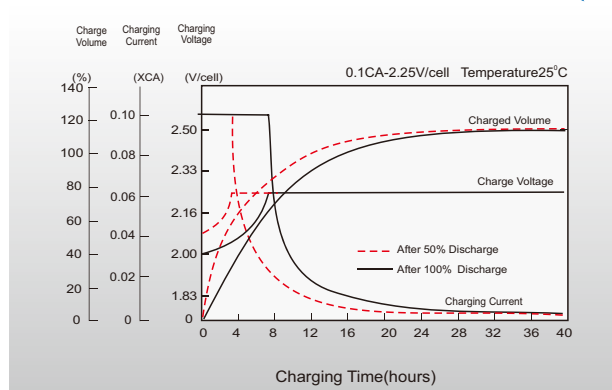
Standards

- Compliance with IEC 60896 standards
- Classified as "Very Long Life" according to Eurobat
- CE, UL Certified
- Manufactured in Leoch@IATF16949, OHSAS 18001, ISO 9001 and ISO 14001 certified production facilities

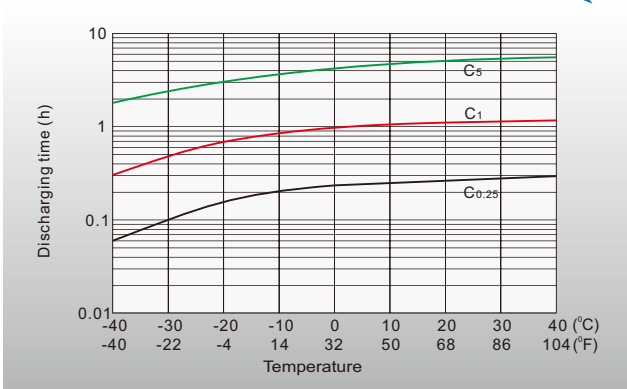
Discharge Characteristics



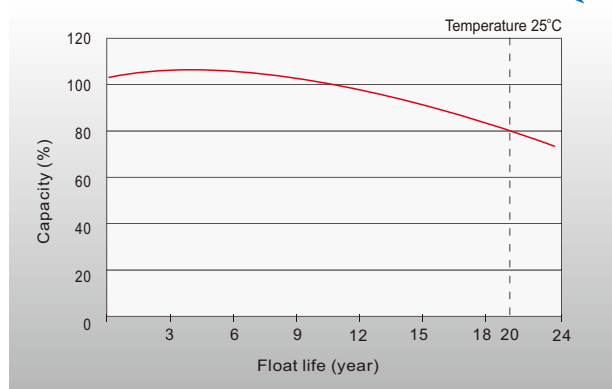
Float Charging Characteristics



Effects of Temperature on Discharging Time



Float Life



distributed by: Power Storage Deutschland GmbH

+49 (0)6081 96582-0

info@psd-power.de

www.psd-power.de



[Http://www.leoch.com](http://www.leoch.com)
[Http://www.leoch.us](http://www.leoch.us)

© 2023 LEOCH. All rights reserved.

Trademarks and logos are the property of LEOCH and its affiliates unless otherwise noted.
Subject to revisions without prior notice.

Publication No.: LB-PLH100FT(A)-PD-EN-V3.8-202302