



# PLH-Pure Lead Long Standby Life

## PLH90FT(A) (12V90Ah)

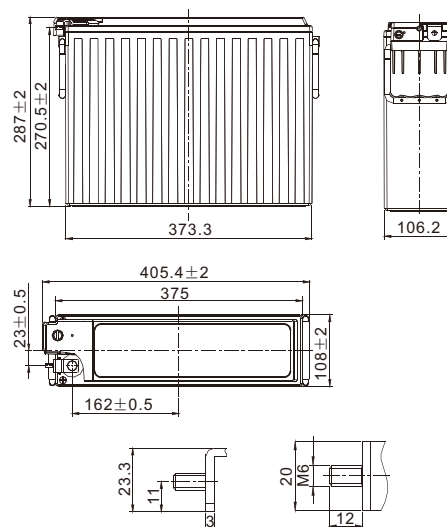


### Specifications

Rated Voltage	12V	
Nominal Capacity	C <sub>10</sub> , 1.80V/cell	90Ah
	C <sub>8</sub> , 1.75V/cell	90Ah
Dimension	Length	405.4±2mm (15.96 inches)
	Width	108±2mm (4.25 inches)
	Container Height	287±2mm (11.30 inches)
	Total Height	287±2mm (11.30 inches)
Approx. Weight	28.7 Kg (63.3 lbs)	
Terminal	M6	
Container Material	PC-ABS flame retardant jar and cover to UL94 V-0	
Rated Capacity (25°C)	94.4 Ah	(20hr, 4.72A, 1.80V/cell)
	90.0 Ah	(10hr, 9.00A, 1.80V/cell)
	83.0 Ah	(5hr, 16.6A, 1.75V/cell)
	80.4 Ah	(3hr, 26.8A, 1.75V/cell)
	62.3 Ah	(1hr, 62.3A, 1.67V/cell)
Max. Discharge Current	1080A	
Internal Resistance (25°C)	Approx. 4.6mΩ(Fully charged)	
Operating Temp. Range	Discharge	-40 ~ 65°C (-40 ~ 149°F)
	Charge	0 ~ 54°C (32 ~ 129°F)
	Storage	-20 ~ 40°C (-4 ~ 104°F)
Nominal Operating Temp. Range	25±3°C (77±5°F)	
Max. Charging Current(25°C)	27.0A	
Charge voltage(25°C)	Float	13.62V
	Temp. Coefficient	-3mV/cell/°C
	Equalization	14.1~14.4V
Effect of temp. to Capacity	40°C (104°F)	103%
	25°C (77°F)	100%
	0°C (32°F)	86%
Self Discharge	<p>PLH series batteries can be stored up to 24 months at 25°C(77°F), For higher temperatures the time interval will be shorter.</p> <p>Battery needs to be given a freshening charge when the OCV approach 2.10V/cell or when the maximum storage time is reached, whichever occurs first.</p>	



### Layout



Unit: mm

### Constant Current Discharge (Amperes) at 25 °C (77° F)

F.V/Time	10 min	15min	20min	30min	45min	1h	2h	3h	4h	5h	8h	10h	20h
1.85V/cell	174.2	145.4	124.6	99.2	74.3	54.7	35.3	25.1	20.1	16.2	10.7	8.92	4.61
1.80V/cell	195.8	162.6	134.8	104.0	78.6	57.0	36.6	26.1	20.3	16.4	11.0	9.00	4.72
1.75V/cell	213.0	171.4	144.2	110.8	82.2	59.1	37.7	26.8	20.6	16.6	11.3	9.18	4.77
1.70V/cell	227.4	181.3	151.8	115.2	85.1	60.6	38.4	27.0	20.8	16.7	11.3	9.36	4.84
1.67V/cell	242.4	188.6	155.6	119.3	86.4	62.3	38.9	27.8	21.0	17.2	11.5	9.72	4.88
1.60V/cell	256.0	197.4	161.6	120.4	88.1	63.4	39.2	28.1	21.1	17.5	11.7	9.90	4.96

### Constant Power Discharge (Watts/cell) at 25 °C (77° F)

F.V/Time	10 min	15min	20min	30min	45min	1h	2h	3h	4h	5h	8h	10h	20h
1.85V/cell	332.3	278.1	239.8	193.1	146.8	108.4	70.4	50.3	40.4	32.7	21.7	18.2	9.42
1.80V/cell	367.5	306.9	256.8	201.1	154.5	112.3	72.5	52.1	40.7	33.0	22.2	18.3	9.62
1.75V/cell	395.8	320.5	272.5	212.6	160.3	115.9	74.3	53.1	41.2	33.3	22.8	18.6	9.69
1.70V/cell	416.1	334.9	284.1	219.2	165.0	118.1	75.2	53.2	41.4	33.4	22.7	18.9	9.82
1.67V/cell	439.2	344.9	288.7	226.0	166.9	121.0	76.0	54.5	41.7	34.3	23.1	19.5	9.88
1.60V/cell	451.5	353.4	295.0	225.2	168.3	122.0	75.8	54.6	41.5	34.6	23.3	19.8	10.0



# PLH-Pure Lead Long Standby Life

## PLH90FT(A) (12V90Ah)



### Applications

- Telecommunication
- Railway signal
- Alarm and security system
- Power station systems
- Emergency power supply

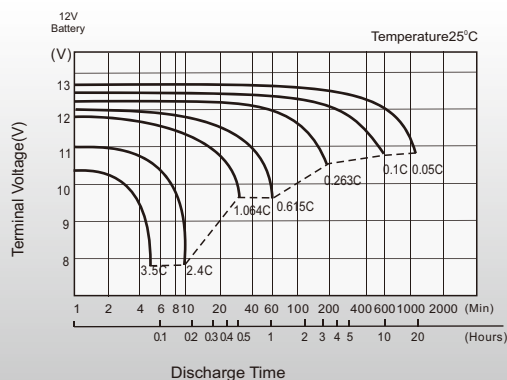
### General Features

- 20 years design life(25°C)
- Premium ABS+PC jar & covers, Flame Retardant to UL94 V-0
- High-rate performance, high energy density
- High quality AGM separators minimize electrical resistance to allow high current discharging properties

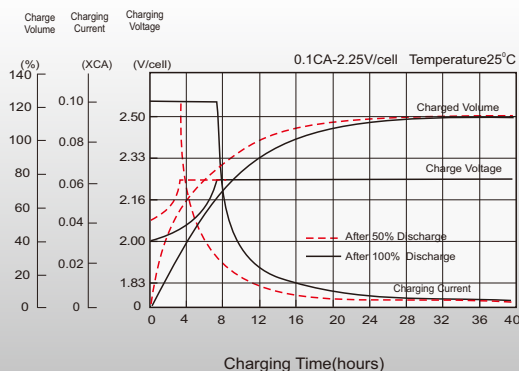
### Standards

- Compliance with IEC 60896 standards
- Classified as "Very Long Life" according to Eurobat
- CE, UL Certified
- Manufactured in Leoch@IATF16949, OHSAS 18001,ISO 9001 and ISO 14001 certified production facilities

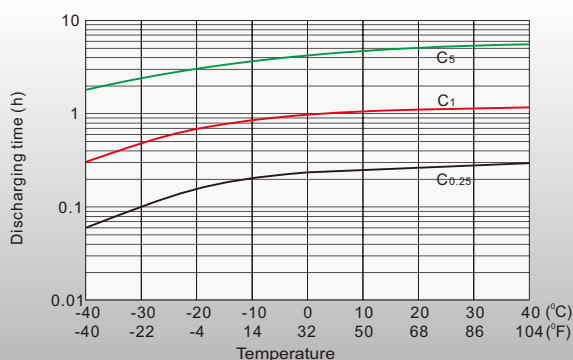
### Discharge Characteristics



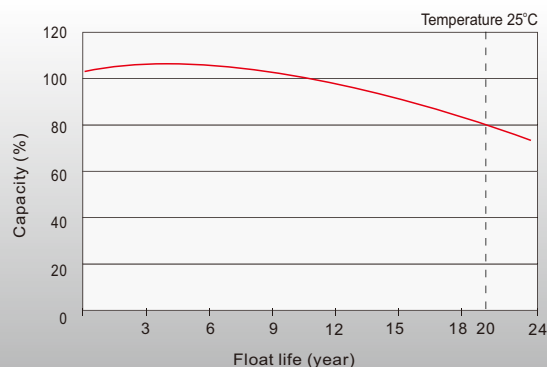
### Float Charging Characteristics



### Effects of Temperature on Discharging Time



### Float Life



distributed by: Power Storage Deutschland GmbH

+49 (0)6081 96582-0

info@psd-power.de

www.psd-power.de



[Http://www.leoch.com](http://www.leoch.com)  
[Http://www.leoch.us](http://www.leoch.us)

© 2021 LEOCH. All rights reserved.  
Trademarks and logos are the property of LEOCH and its affiliates unless otherwise noted.  
Subject to revisions without prior notice.

Publication No.: LB-PLH90FT(A)-PD-EN-V3.5-202212